

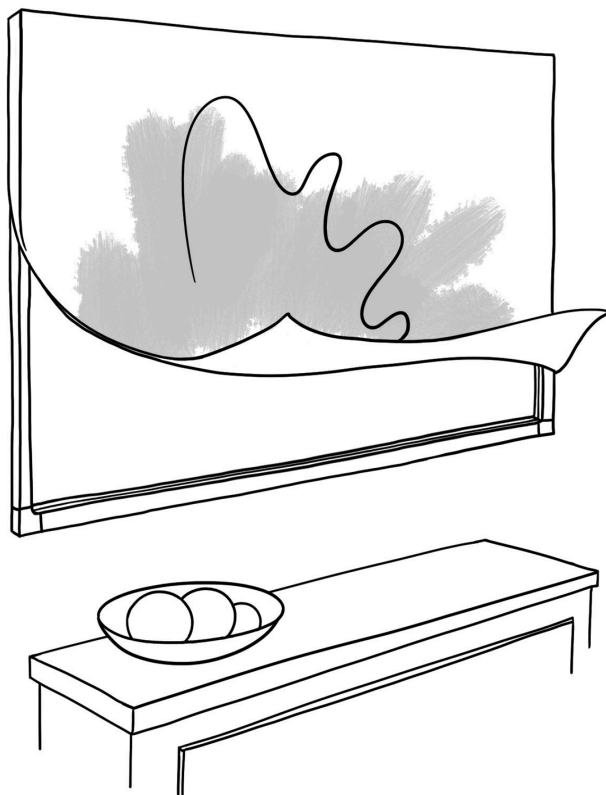
# CANVAS PAINTING KIT

Ref 10 / NOSC10\_V7

KIT to be mounted

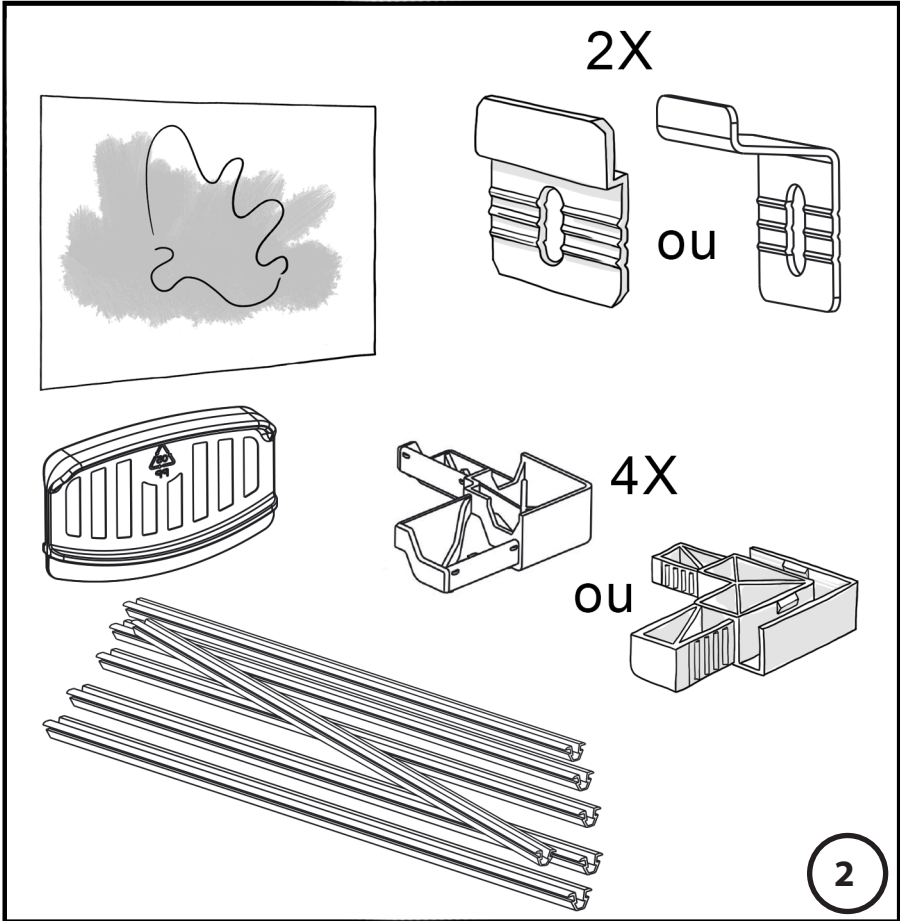
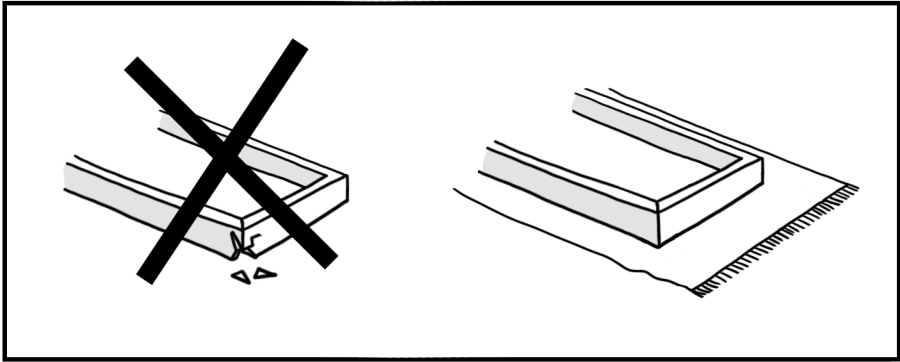


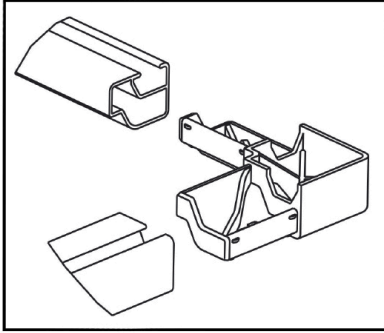
MADE IN FRANCE



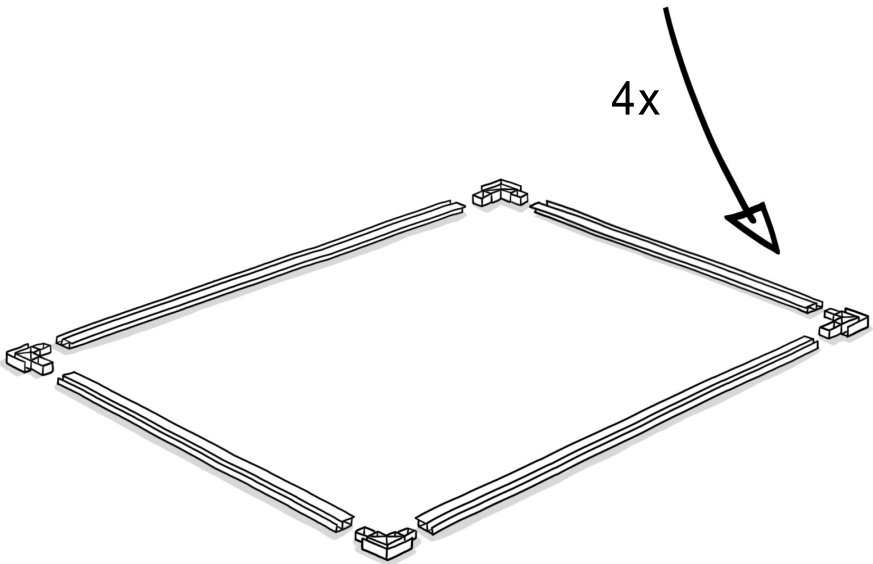
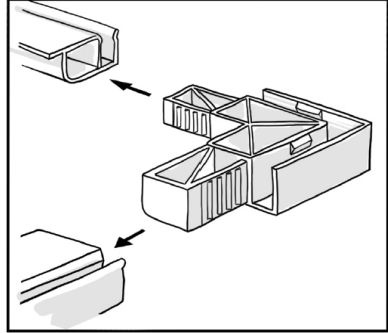
SCENOLIA   
[www.scenolia.com](http://www.scenolia.com)

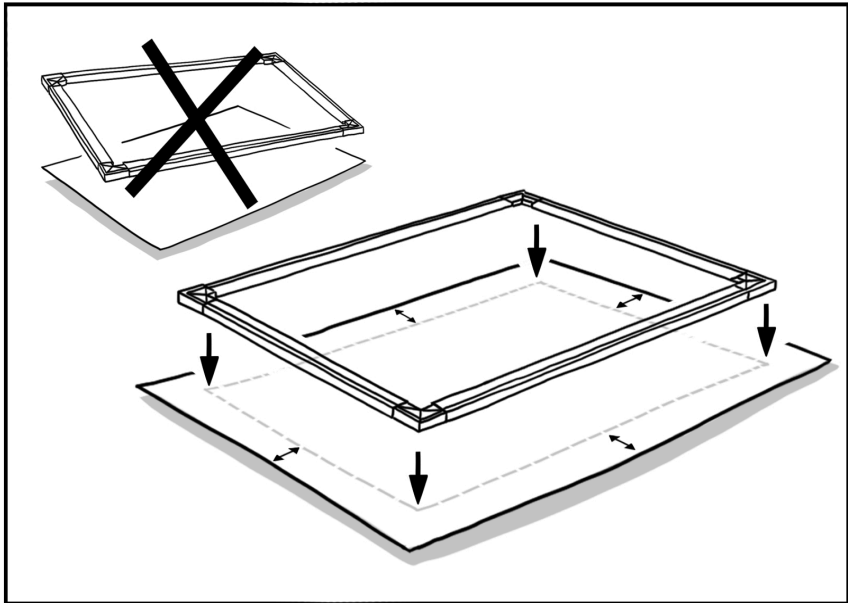
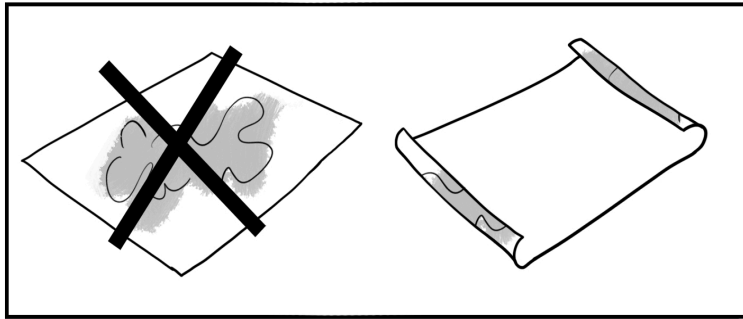
Find our videos of installation on our channel  
YouTube



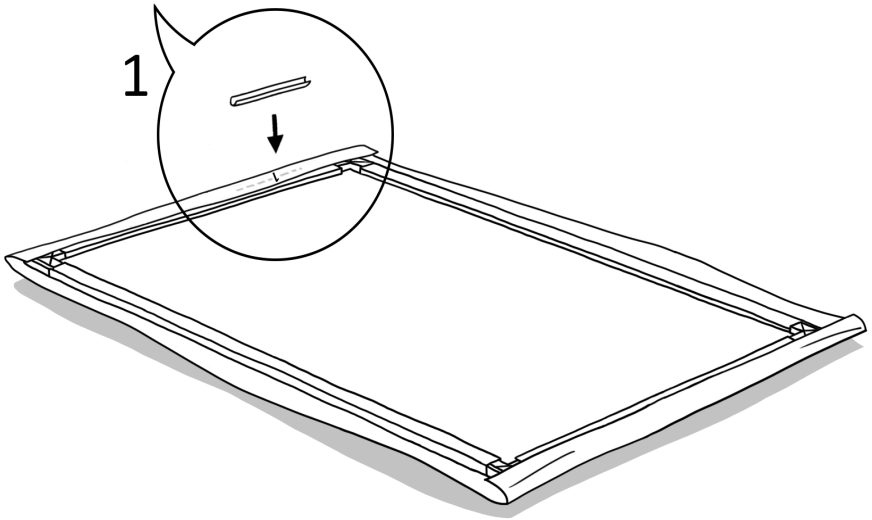
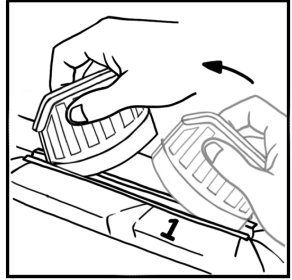
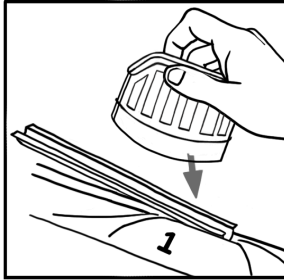
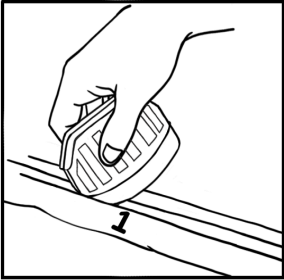


or



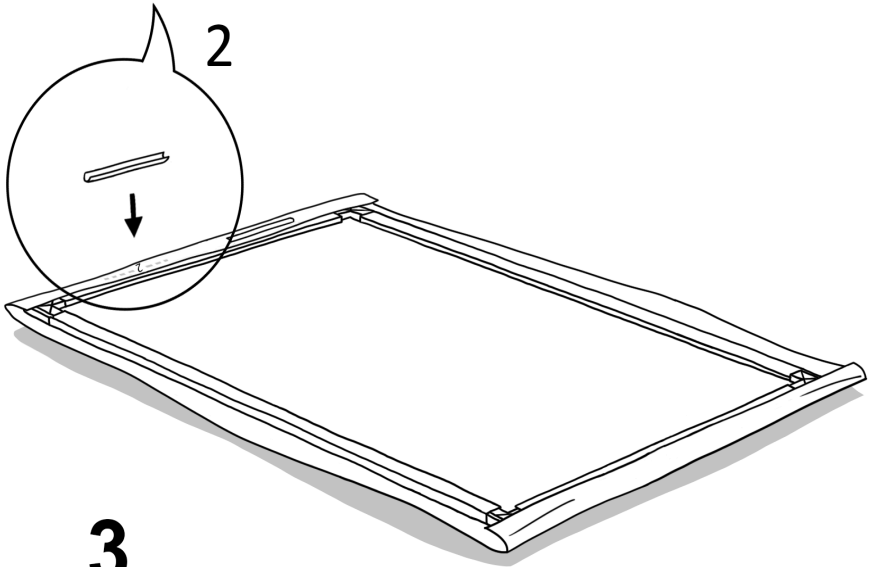
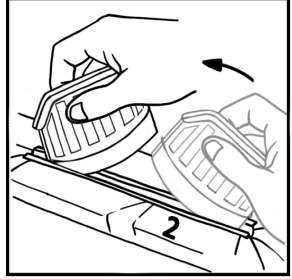
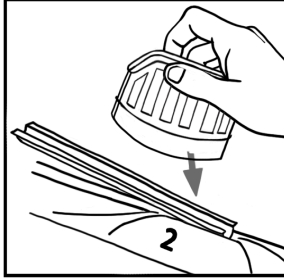
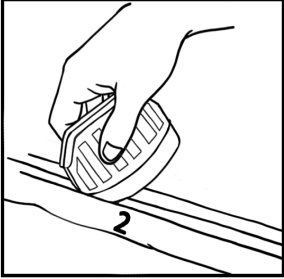


# 1...



Please be sure to follow the numbering printed on the canvas.

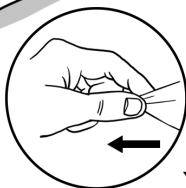
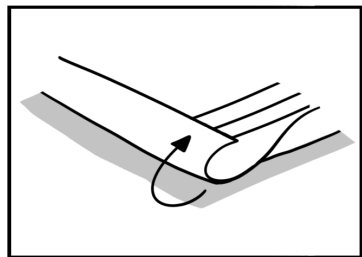
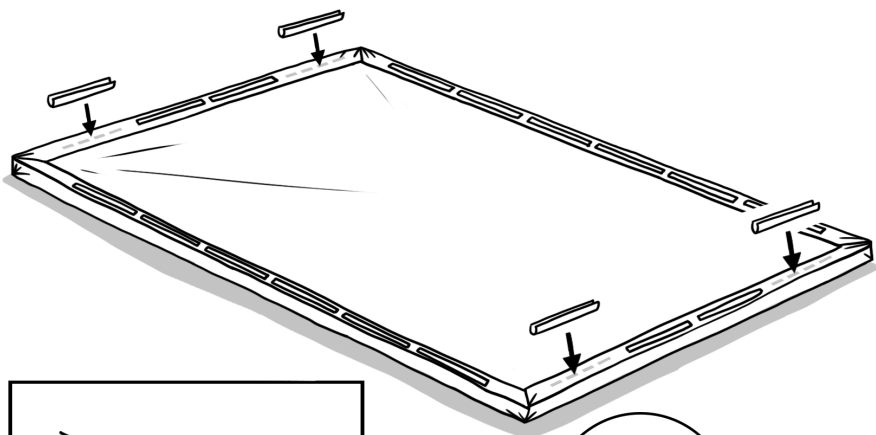
...2...



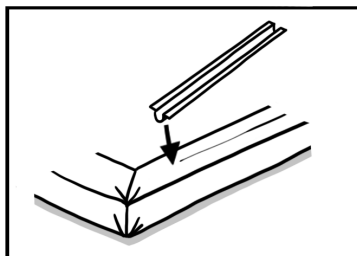
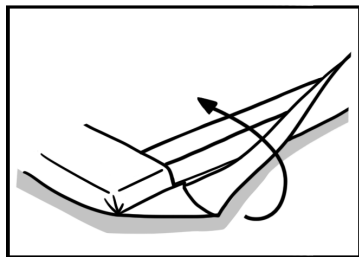
...3...

...4...

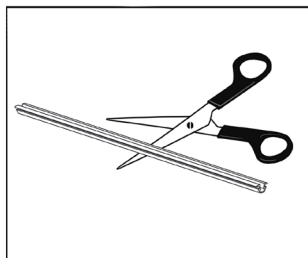
...



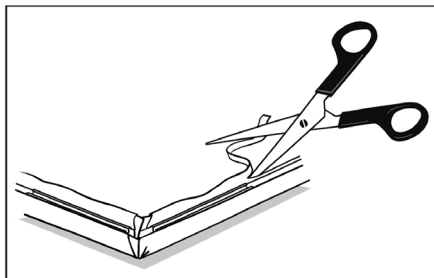
**x4**

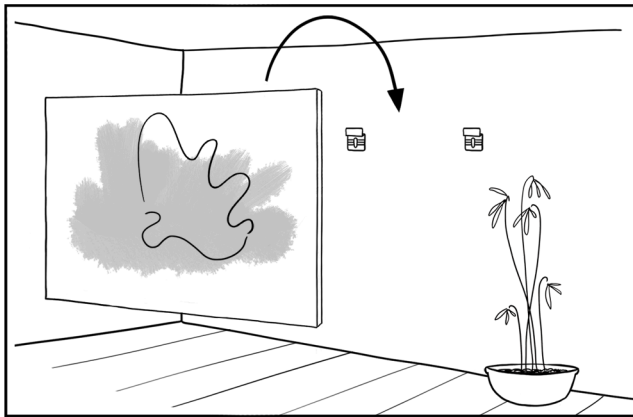
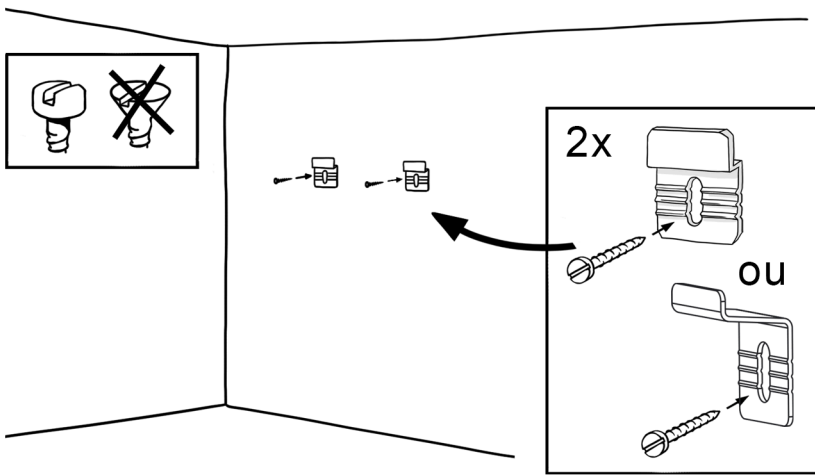


For paintings requiring short clamping elements (approx. 15 cm), cut the long clamping elements (approx. 30 cm) in half :

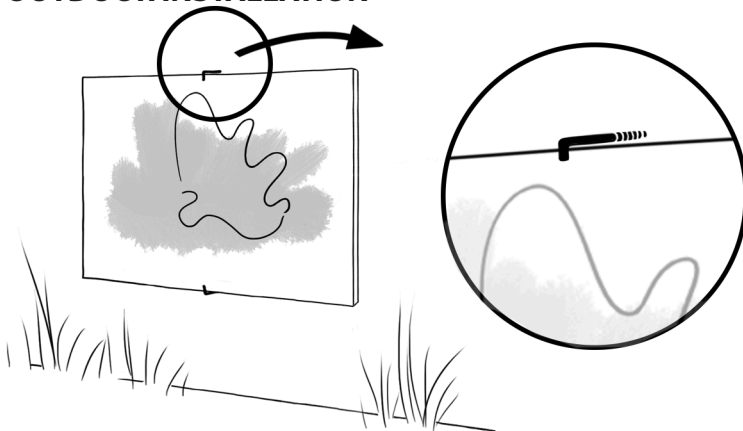


Cut off the excess material at the back of the canvas print if necessary:





## OUTDOOR INSTALLATION



2 hooks should preferably be added at the bottom so that it is well anchored if it is windy.