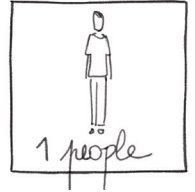


DOOR POSTER

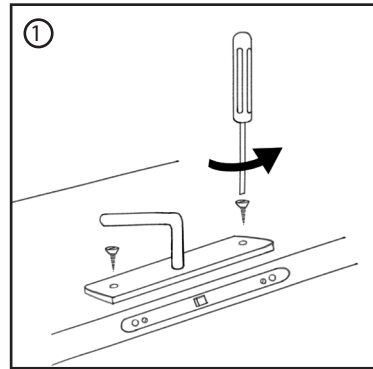
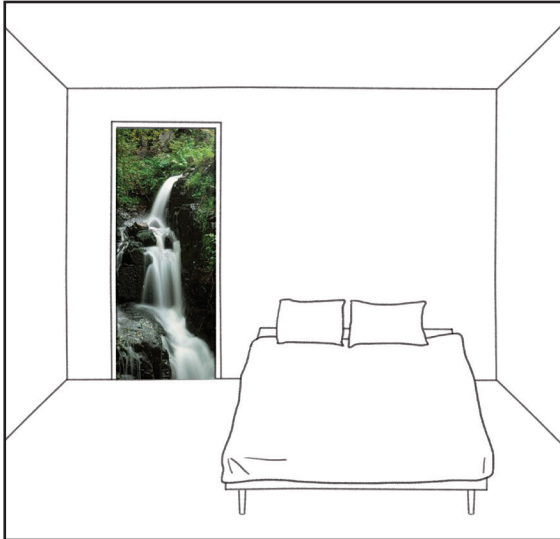
MADE IN FRANCE

USER MANUAL

Ref 14 / NOSC14 V8

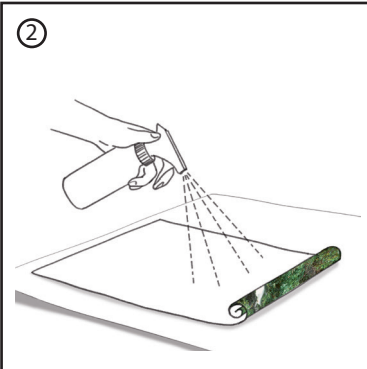


Pre-glued non-woven backing



Remove the locks.

Materials needed



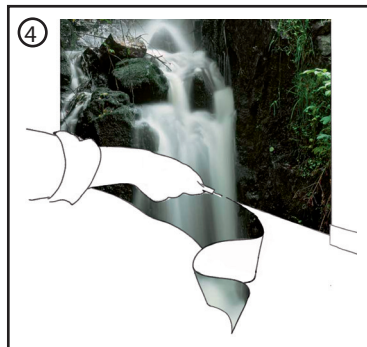
Spray the entire pre-glued surface of the substrate with water.



Place the poster.



Roll the poster by hand or with a brush.



Use a new blade to cut out excess surface.

Place the poster on a smooth, clean and dry surface. Use clean tap water. The product can be repositioned and realigned during the first 10 minutes. If the product does not move easily during repositioning, lift it up and apply water directly to the wall. It is possible to apply the water by spraying it on the wall rather than on the back of the poster. Can be installed over wood/glass/melamine, etc... Do not install on irregular surfaces or materials, such as glass cloth to be painted on.

SCENOLIA

www.scenolia.com



Find our videos of installation on our channel YouTube